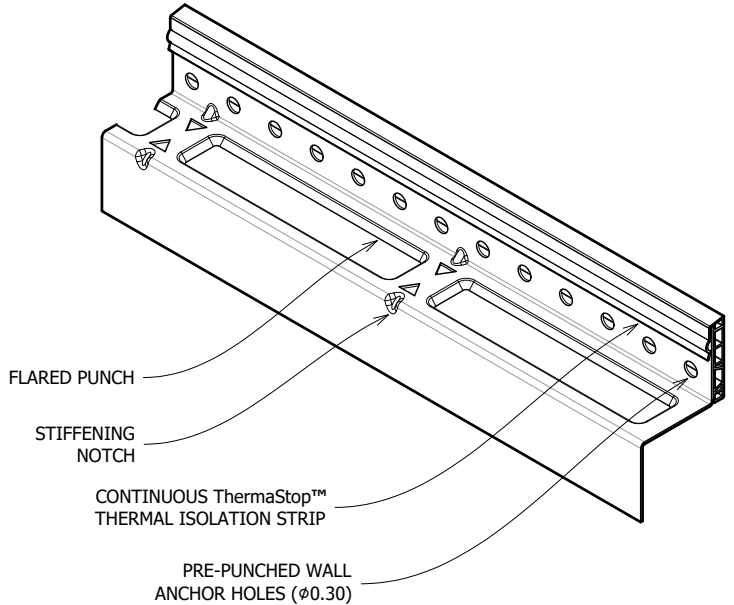
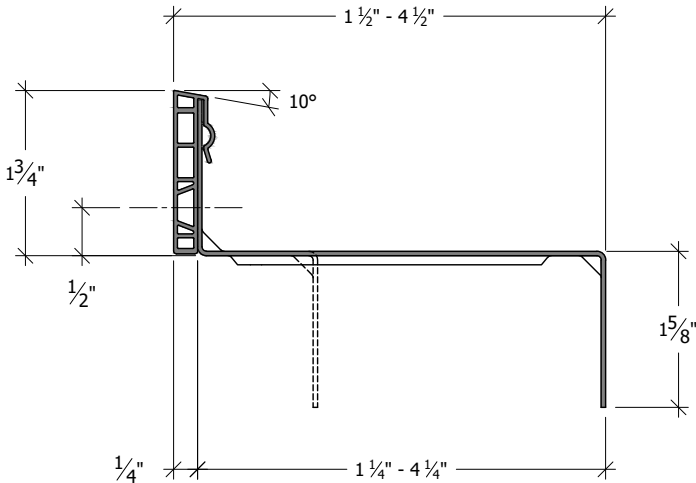


ThermaZee™

Something Familiar: *Reinvented*



The Knight **ThermaZee™** gives installers and designers the simplicity of what they know: Z-furring; with what they need: code compliant thermal performance. With reduced thermal bridging rivaling modern thermally-isolated clip and rail systems, the thermally improved ThermaZee dramatically increases the rainscreen wall assemblies performance.

THERMAL COMPARISON	EFFECTIVE R-VALUE & PERCENTAGE		*Wall assembly compared is a 16" OC steel stud wall, 1-layer gypsum sheathing, 4" mineral wool insulation & attachments spaced at 24" O.C. Results are from 3D thermal modeling completed by Morrison-Hershfield and published product data.
KNIGHT ThermaZee™	R-17.0	85%	
FRP Clip & Rail System	R-15.9	80%	
Normal-Z-Furring w/Thermal Isolation	R-13.5	68%	
Normal Z-Furring	R-12.2	61%	

The ThermaZee incorporates a specially designed, hollow, thermal isolation strip complimenting other performance enhancements at the web of the girt. The webs unique punch pattern has a substantial reduction in metal penetrating the insulation - which decreases heat-flow through the girt. And the girt's notched bends and flared punches add extra strength. This all lends in giving the ThermaZee "the thermal edge."

Like traditional Z-furring, the ThermaZee can be installed either vertically or horizontally, attached to a variety of substrates including steel studs, wood studs, CMU and concrete. And just like traditional furring, a variety of claddings can be attached directly or with adding secondary rails. These include fiber cement, metal panels, HPL panels, aluminum composite material (ACM) and more.

Purchase the ThermaZee as a standalone girt -OR- add thermally isolated wall anchors by KWS.

KWS offers project specific engineering and a 10-year limited warranty *if requested.*



PRODUCT INTRO SHEET

2401 E 6th STREET, DEER PARK, WA 99006
1.855.597.9255 • knightwallsystems.com

ADVANTAGES TO THE KNIGHT ThermaZee:

- Typical installation - installs just like traditional Z-furring
- Highly perforated for reduced chance of standing water
- Wall anchors can be supplied by KWS or others**
- ThermaZee can be spaced up to 48" O.C. when used horizontally, or up to 32" O.C. (every other stud) when used vertically**
- No trimming of mineral wool insulation required for a tight fit
- Pre-punched wall anchor holes for easy installation - especially over wood and CMU/concrete substrates.
- Highly corrosive-resistant Zn-Al-Mg ZM40 (ASTM A1046) coated steel for long service life vs. typical G90 galvanized steel
- Black PVDF finish and stainless-steel options are available*
- Delivered with thermal isolation strip preassembled - ready to install
- Easily installed over many substrates - steel studs, wood studs, CMU, concrete
- Engineering calculations can be provided per project for design load compliance (*optional*)
- Can be supplied as a drop-in rainscreen attachment solution - thermally isolated furring, fasteners, secondary rails if needed and engineering - one source liability for the whole system (*optional*)
- Limited extended labor and material warranty available (*optional*)

GEOMETRIC PROPERTIES

TOTAL DEPTH	1.5 - 4.50 in
DEPTH INCREMENTS	0.5 in
TOTAL WIDTH (HEIGHT)	3.30 in
BACK LEG DIMENSION	1.63 in
FRONT LEG DIMENSION	1.63 in

**Maximum allowable spacing and dead load (weight of cladding) is based on the total load (dead + live) acting on the assembly and connections. Engineering should verify this. Wall anchors must be specified and supplied by KWS for a written limited extended warranty.

SHIPPING EARLY FALL - 2020

MATERIAL OPTIONS

AVAILABLE MATERIALS	Zn-Al-Mg COATED STEEL (ASTM A1046 ZM40) or 304 STAINLESS STEEL*
AVAILABLE GAUGES	18-GA or 16-GA*
AVAILABLE FINISHES	STANDARD MILL or BLACK PVDF* (18-GA, NON-STAINLESS)
AVAILABLE LENGTHS	96 in STANDARD (120 in AVAILABLE*)

SUSTAINABILITY INFORMATION

KNIGHT WALL SYSTEMS STEEL PRODUCTS ARE ALL MADE WITH U.S. PRODUCED STEEL, 100% RECYCLABLE AND HAVE AN AVERAGE RECYCLED CONTENT OF 34.2% (19.8% POST-CONSUMER & 14.4% PRE-CONSUMER).
A DECLARE LABEL HAS BEEN ISSUED FOR THE STEEL USED IN ALL KWS PRODUCTS AS RED LIST FREE.

* SINGLE ASTERISK IDENTIFIES NON-STANDARD ITEMS - AVAILABILITY & ADDITIONAL COSTS OF NON-STANDARD ITEMS VARY
ALL DIMENSIONS & WEIGHTS ARE NOMINAL
BLACK COATED COMPONENTS ARE ONLY COATED ON ONE SIDE; OPPOSITE SIDE IS PRIMED
CONTACT KWS TO CONFIRM AVAILABILITY - MOST STANDARD ITEMS CAN SHIP WITHIN THREE WEEKS (QUANTITY DEPENDENT)
SEE SYSTEM SPECIFIC GUIDE DETAILS FOR FURTHER INFORMATION ON DESIGN, DETAILING AND INSTALLATION

CONTACT KWS FOR FURTHER DETAILS. NO EXPRESS WARRANTIES ARE GIVEN EXCEPT FOR ANY APPLICABLE WRITTEN LIMITED WARRANTIES SPECIFICALLY PROVIDED BY KNIGHT WALL SYSTEMS. ALL IMPLIED WARRANTIES INCLUDING MERCHANTABILITY & FITNESS FOR A PARTICULAR PURPOSE ARE EXPRESSLY EXCLUDED. Project specific engineering and wall anchors must be provided by Knight Wall Systems and the requirements of the engineering must be followed during installation for an extended written limited warranty. Knight Wall Systems overall liability and the remedies available are limited by the terms and conditions of sale and the written limited warranty. ThermaZee, CI, MFI, CI-Girt, HCI, HCI-Girt, ThermaStop, PanelRail, RevealRail, Reveal-Girt and ThermaBracket are trademarks of Knight Wall Systems, Inc.
Please visit us online for more information & CAD files © Knight Wall Systems PATENT US 8,429,866 B2; OTHERS PENDING - Drawn by: BN 08032020